

Installation instructions for PZ4AL- 06480- 00

## Toyota Corolla E12

Under Run Protective Shield engine bay and transmission case



Model Year: 2002 - 2007

Vehicle Code:

ZRE151L-AEFDKW  
ZRE151L-AEFNKW  
ZRE151L-AEPDKW  
ZRE151L-AEPNKW

Part Number:

PZ4AL- 06480- 00



Weight:

12.00 kg



Installation Time:

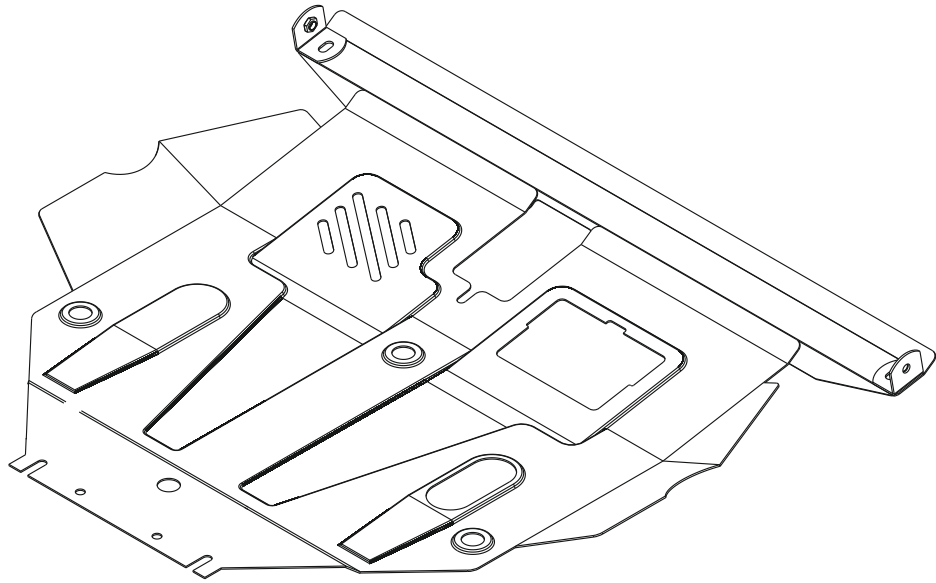
25 min

Manual reference number:

AIM 000-861-0

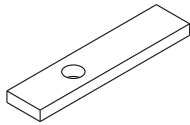
Part number: PZ4AL- 06480-00

**A**



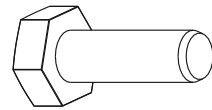
PZ4AL- 06480-60

**B**



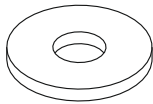
X 2

**C**



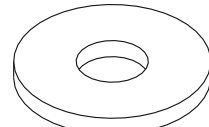
4 x M 10x30

**D1**

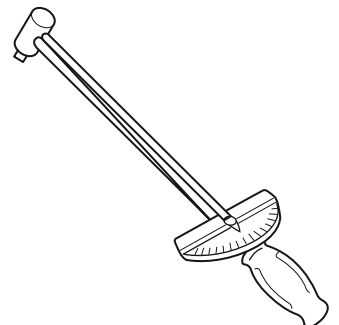
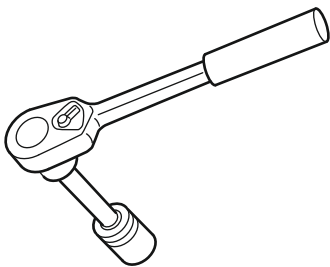


4 x Ø10

**D2**



2 x SD 7001



Part number:  
PZ4AL- 06480-00

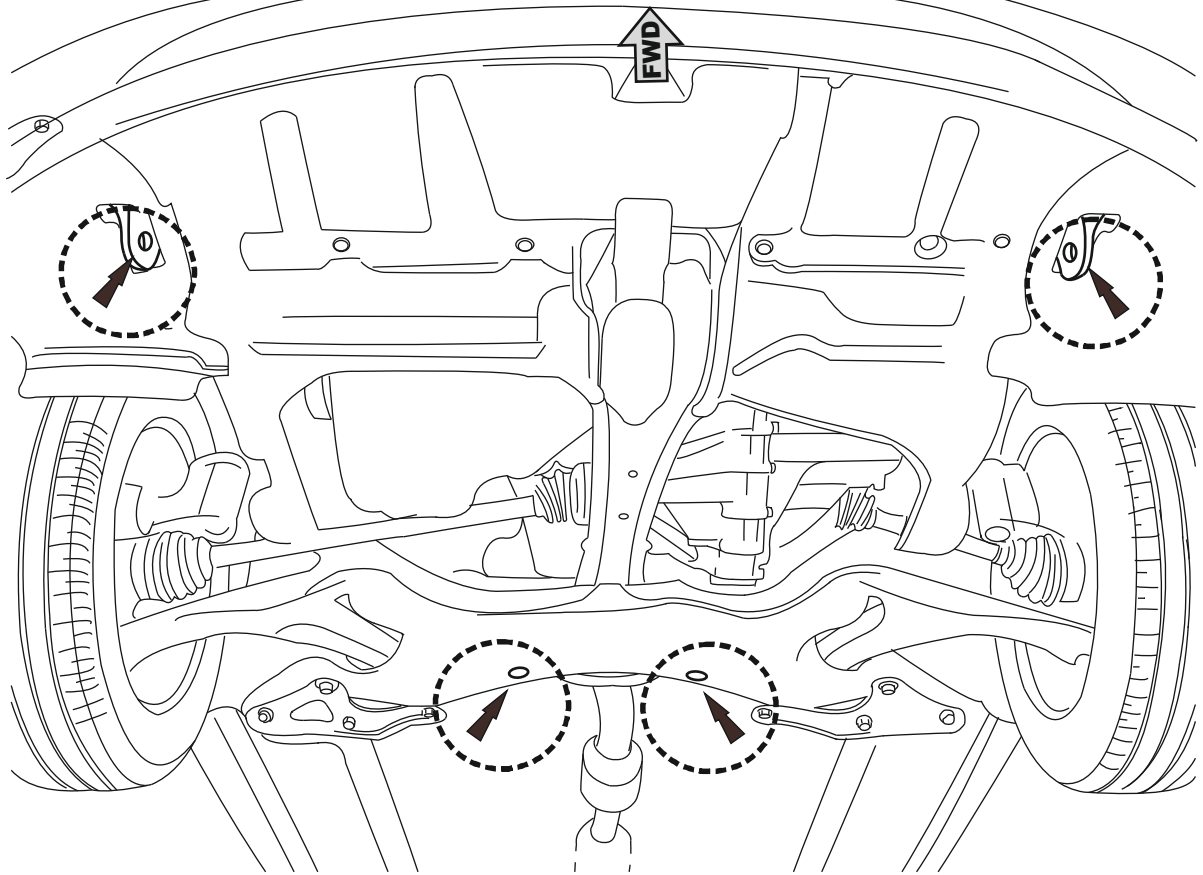
Issue:  
0

Date:  
19/12/06

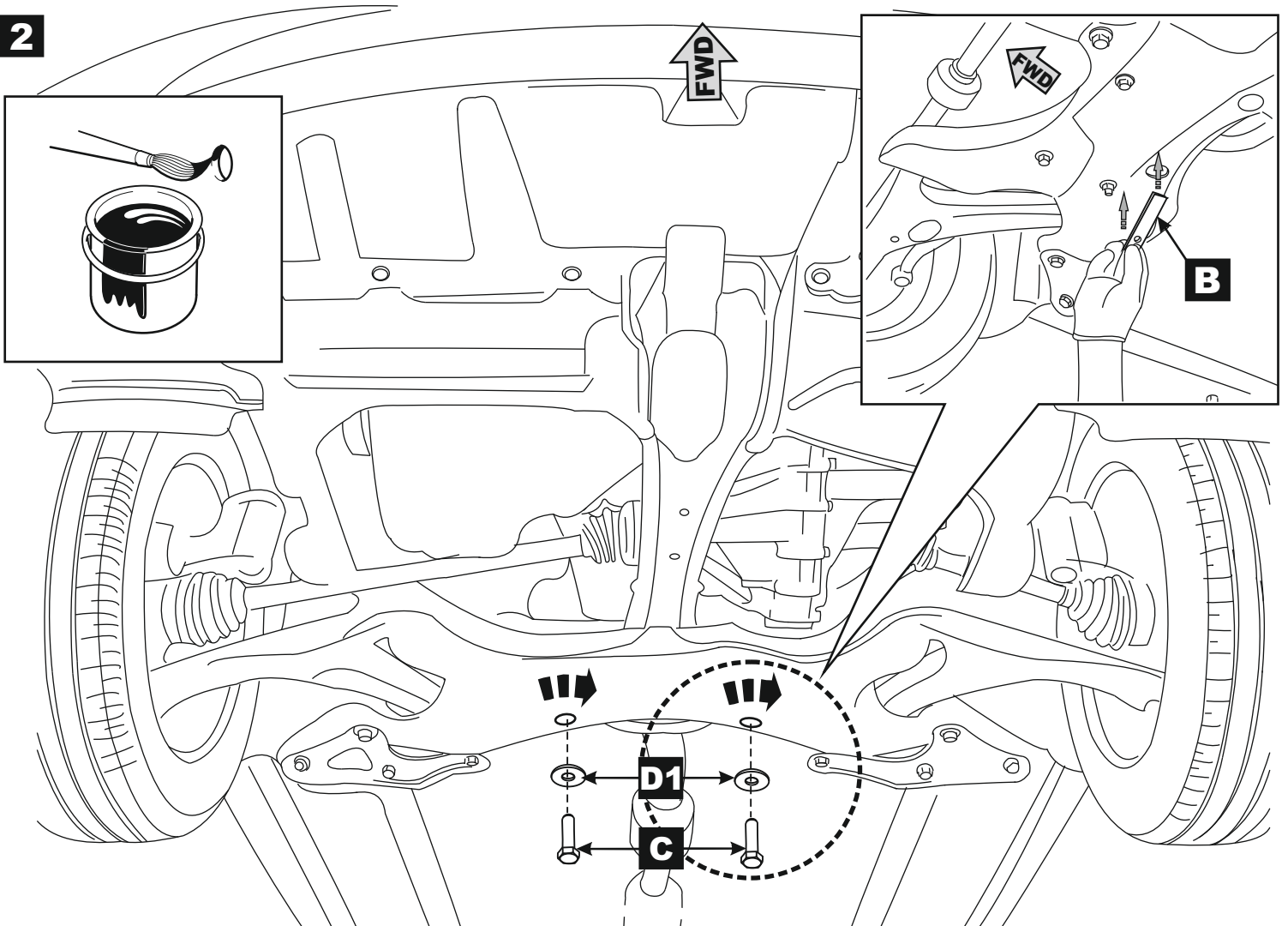
Manual reference number:  
AIM 000-861-0

Page:  
2/4

1



2



Part number:  
PZ4AL- 06480-00

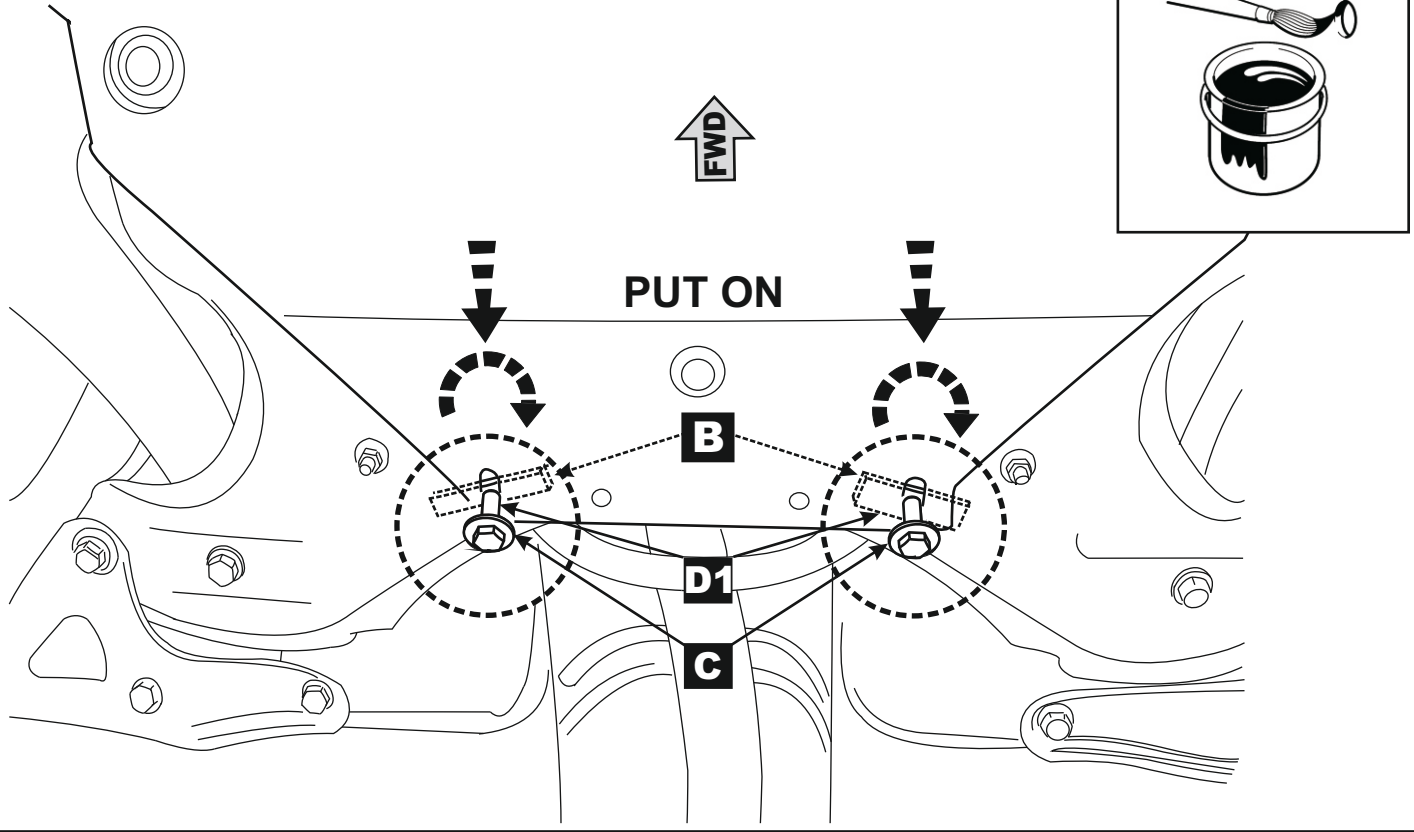
Issue:  
0

Date:  
19/12/06

Manual reference number:  
AIM 000-861-0

Page:  
3/4

3



4

